



# GRO SYSTEM RETROFIT KIT INSTALLATION AND OPERATION INSTRUCTIONS

## PREPARATION

### Required Tools:

- Tube cutter or box cutter
- Bucket and rag

### Parts

- Drain Flow Controller
- 1/4" tubing
- Label
- Flow Controller Instruction Sheet

## RETROFIT INSTRUCTIONS

### 1. Disconnecting the system:

- a. Shut off feed water supply.
- b. Open faucet to relieve pressure.

**NOTE: After opening the faucet, please wait for tank to drain before shutting off tank.**

- c. Disconnect storage tank tubing, faucet tubing, and feed water tubing from the system.

**NOTE: Keep a bucket and rag handy when removing tubing for ease of cleanup and prevention of water damage from spilled water.**

- d. Set system on a clean, flat, well lit work area.

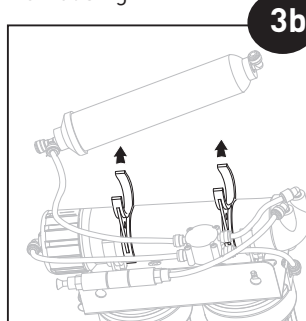
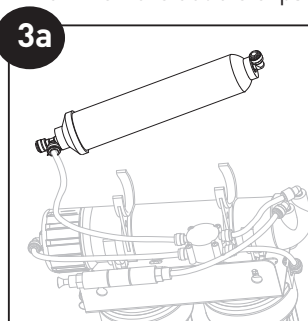
### 2. Feed connection orientation:

- a. Verify if feed connection is on left or right of system. Feed location will affect GRO element orientation. If the feed supply is on the left, the GRO label will display upright, or, if on the right, the label will display upside down.

**NOTE: Take note of the connection configuration of the all tubing connections. It is recommended to make a diagram or take a picture of the system for future reference.**

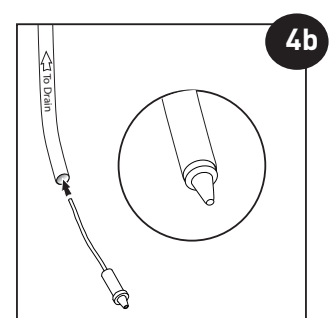
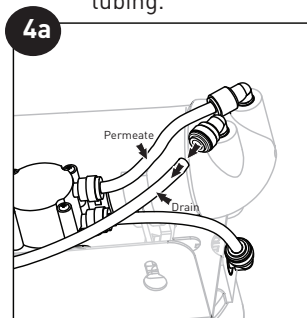
### 3. Removing the post filter:

- a. Remove post filter from clips. DO NOT disconnect tubing.
- b. Remove double clips from RO housing.

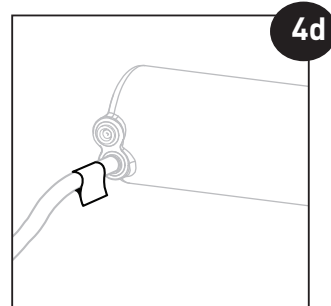
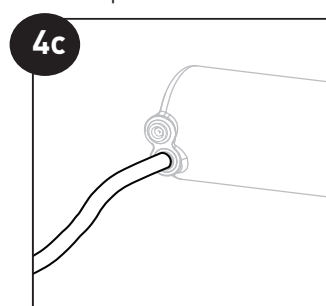


### 4. Installing new drain flow control:

- a. Disconnect drain flow controller from faucet tubing and remove any remaining tubing from the drain port of the RO housing.
- b. Install the flow controller into the end of the drain tubing.

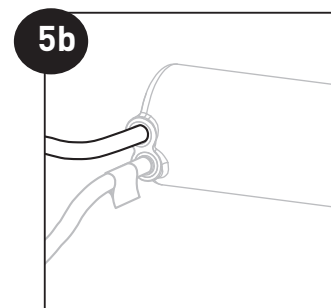


- c. Push the tubing into the red drain port of the GRO element.
- d. Place flag label around the drain tubing near the drain port of the GRO element for future reference.

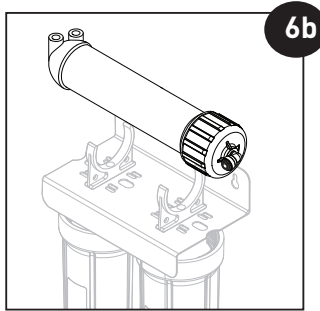
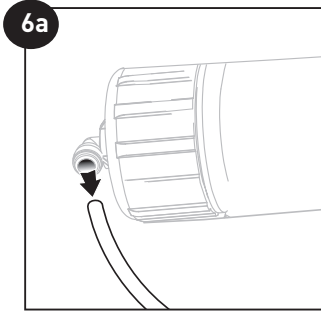


### 5. Replacing the permeate tube:

- a. Remove permeate connection from RO housing.
- b. Install permeate tubing into blue permeate connection of GRO element. (See illustration 4a)



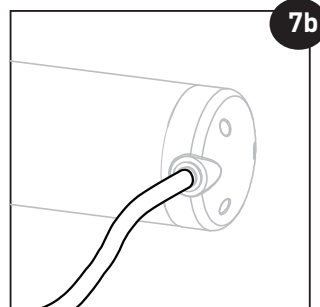
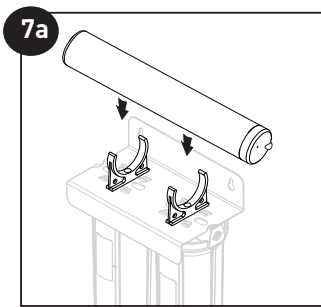
6. Removing the RO housing.
  - a. Remove feed tubing connection from RO housing.
  - b. Remove RO housing from bracket/clip assembly.



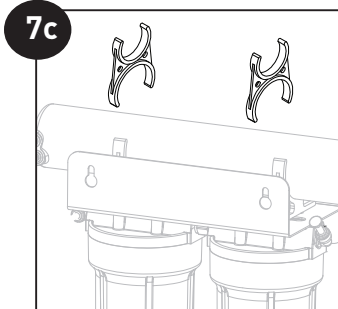
7. Installing the GRO element.
  - a. Install GRO element onto bracket/clip assembly.

**NOTE: Ensure tubing connections are not stressed. Resize tubing lengths as needed.**

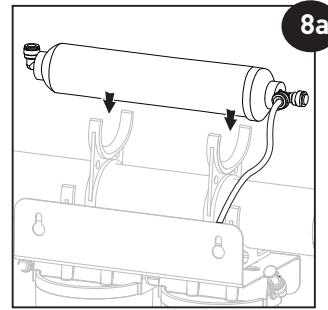
- b. Reinstall feed tube into GRO element.



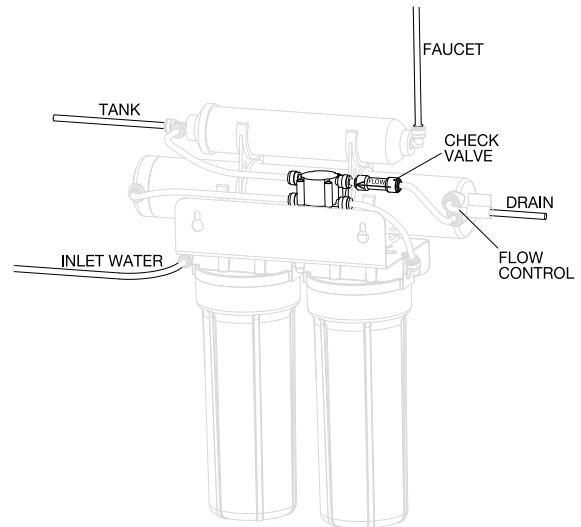
- c. Install post filter clips.



8. Installing the post filter.
  - a. Install post filter onto GRO element.



9. Installing the permeate check valve.
  - a. Locate the permeate tube.
  - b. Install the permeate check valve between the GRO element and the ASO valve. Ensure that the flow arrow on the permeate check is pointed towards the ASO valve.



10. System Start Up.
  - a. Connect system to faucet, storage tank and feed tubing.
  - b. Keep storage tank valve closed. Turn on water at feed valve, open faucet and flush GRO element for 24 hours. Check for leaks at tubing connections during pressurization and 24 hour flush.
  - c. Follow flushing instructions as detailed in the system manual for sanitation, final flush and startup procedures.



For Pentair Product Warranties visit: } [waterpurification.pentair.com](http://waterpurification.pentair.com)  
 Pentair para las garantías de los productos visite: }  
 Pour Pentair garanties produit visitez le site :

**WATER QUALITY SYSTEMS**  
 5730 NORTH GLEN PARK ROAD, MILWAUKEE, WI 53209  
 P: 262.238.4400 | WATERPURIFICATION.PENTAIR.COM | CUSTOMER CARE: 800.279.9404 | tech-support@pentair.com

All Pentair trademarks and logos are owned by Pentair, Inc. or its affiliates. All other registered and unregistered trademarks and logos are the property of their respective owners. Because we are continuously improving our products and services, Pentair reserves the right to change specifications without prior notice.

Pentair is an equal opportunity employer.  
 4004456 REV A JL15 © 2015 Pentair Residential Filtration, LLC All Rights Reserved.